

source

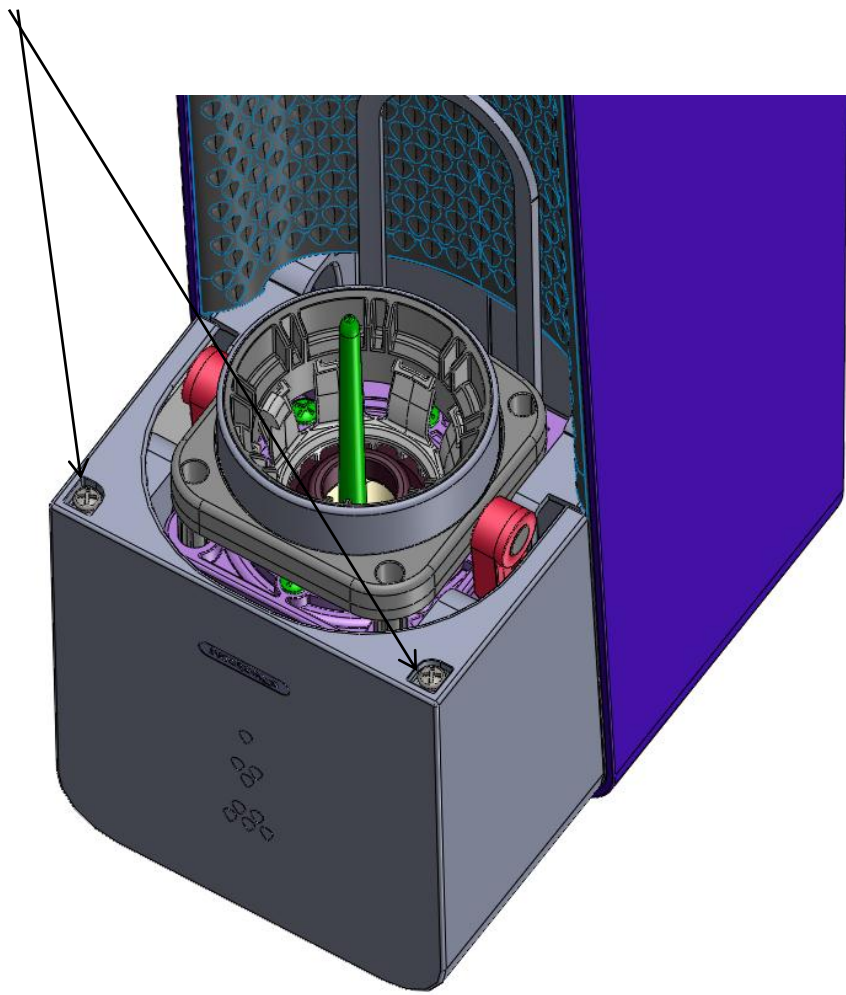
Battery Replacing

04.07.2012

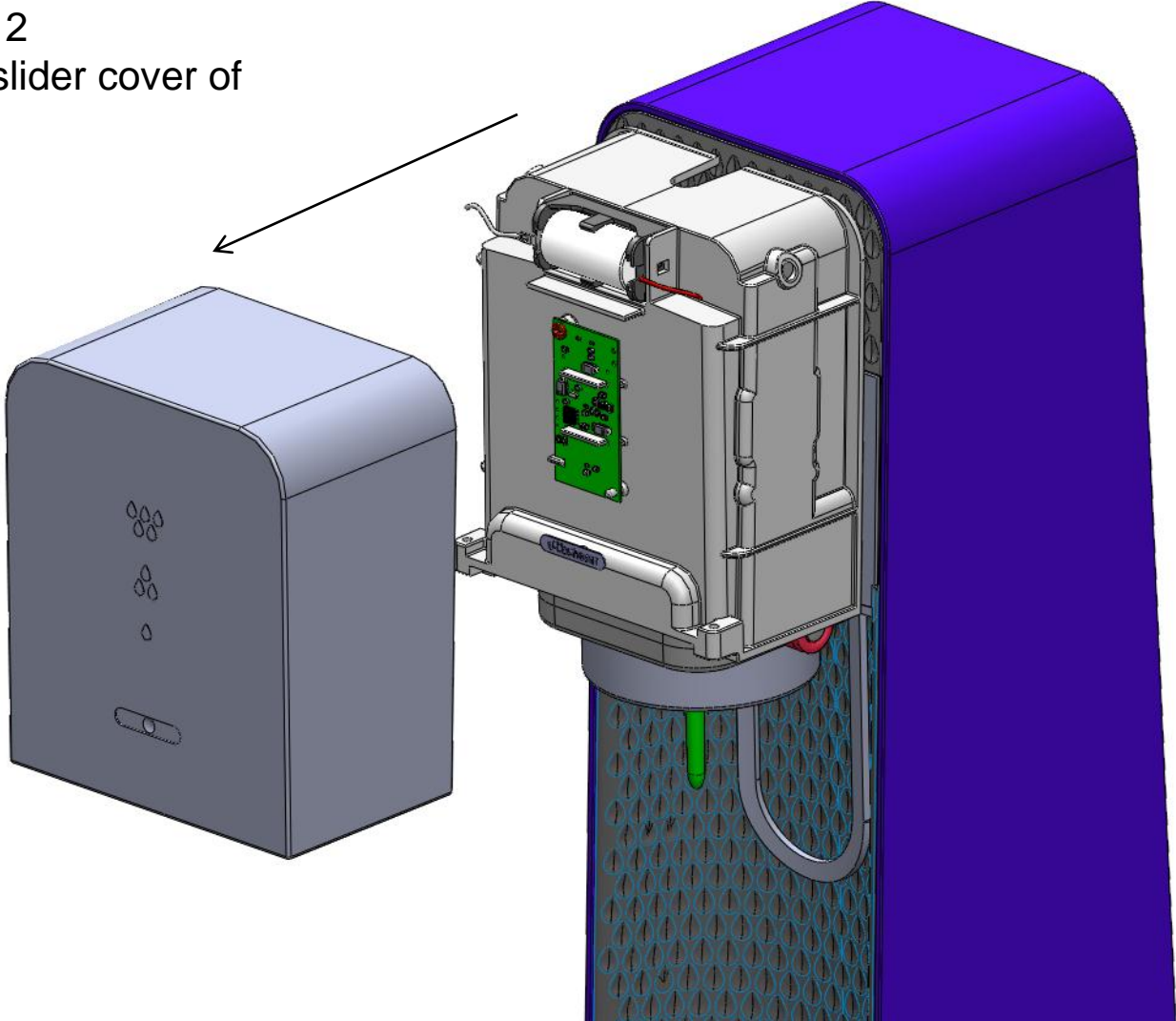
soda**stream**
your home soda factory



Step 1
Unscrew 2 cover retuning screws

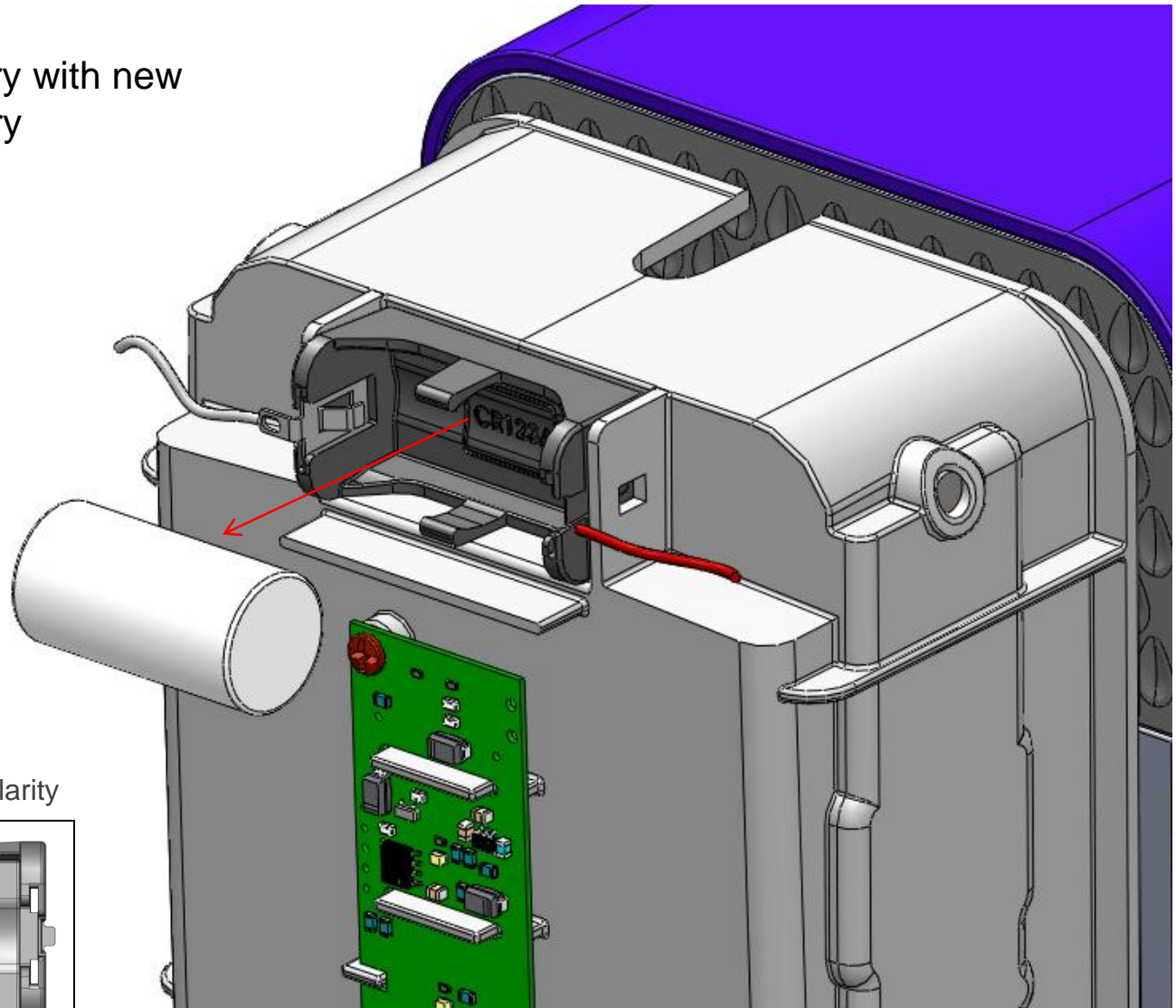


Step 2
Pull slider cover of

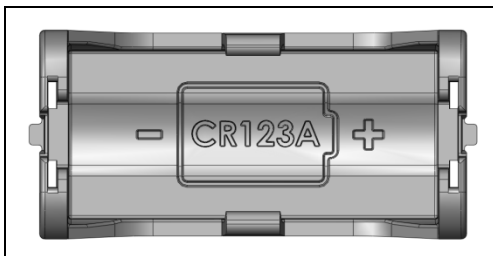


4

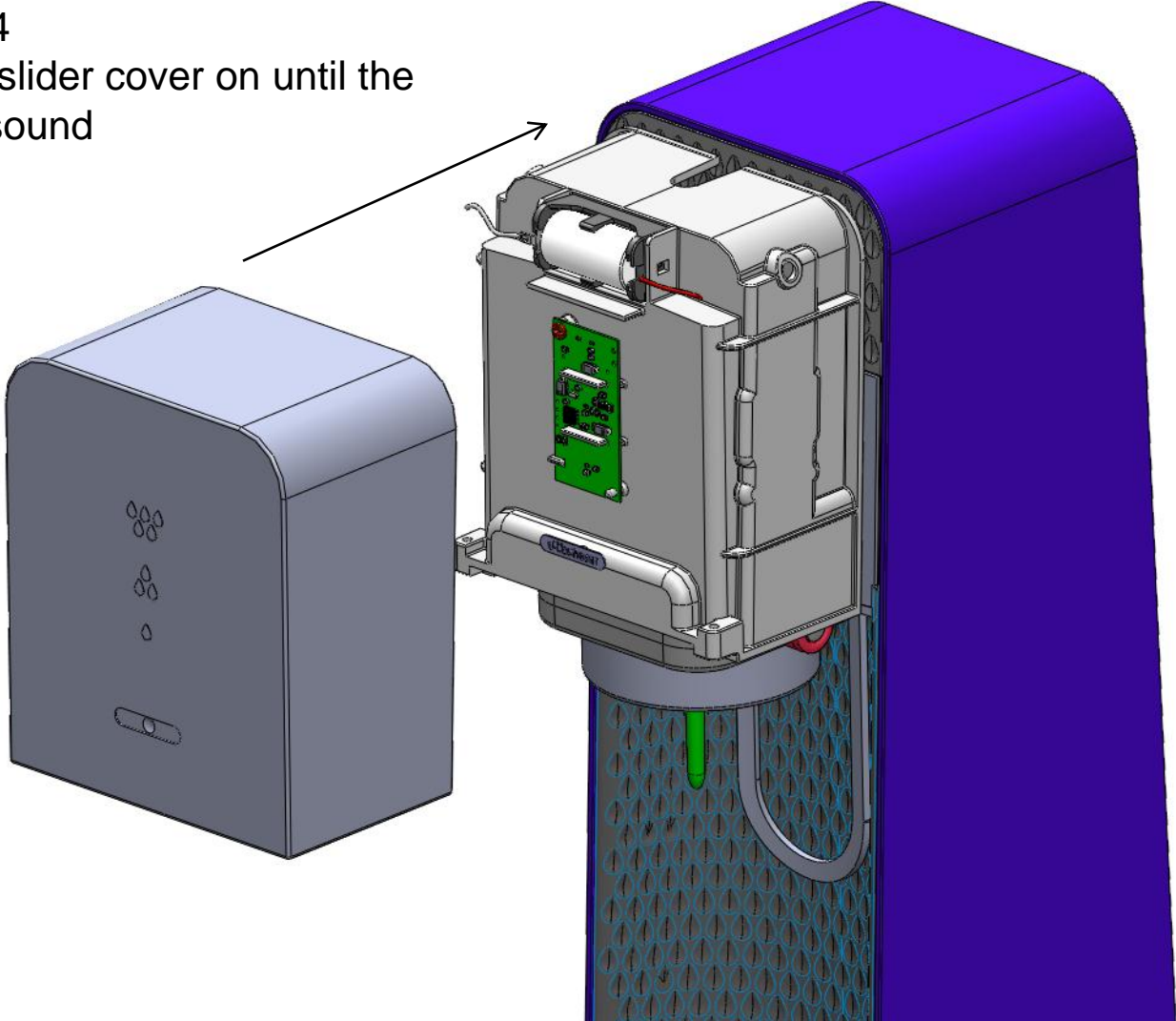
Step 3
Replace old battery with new
CR123 type battery



Pay attention to battery polarity



Step 4
Push slider cover on until the
click sound



Step 5
Screw back the 2 cover retuning screws

